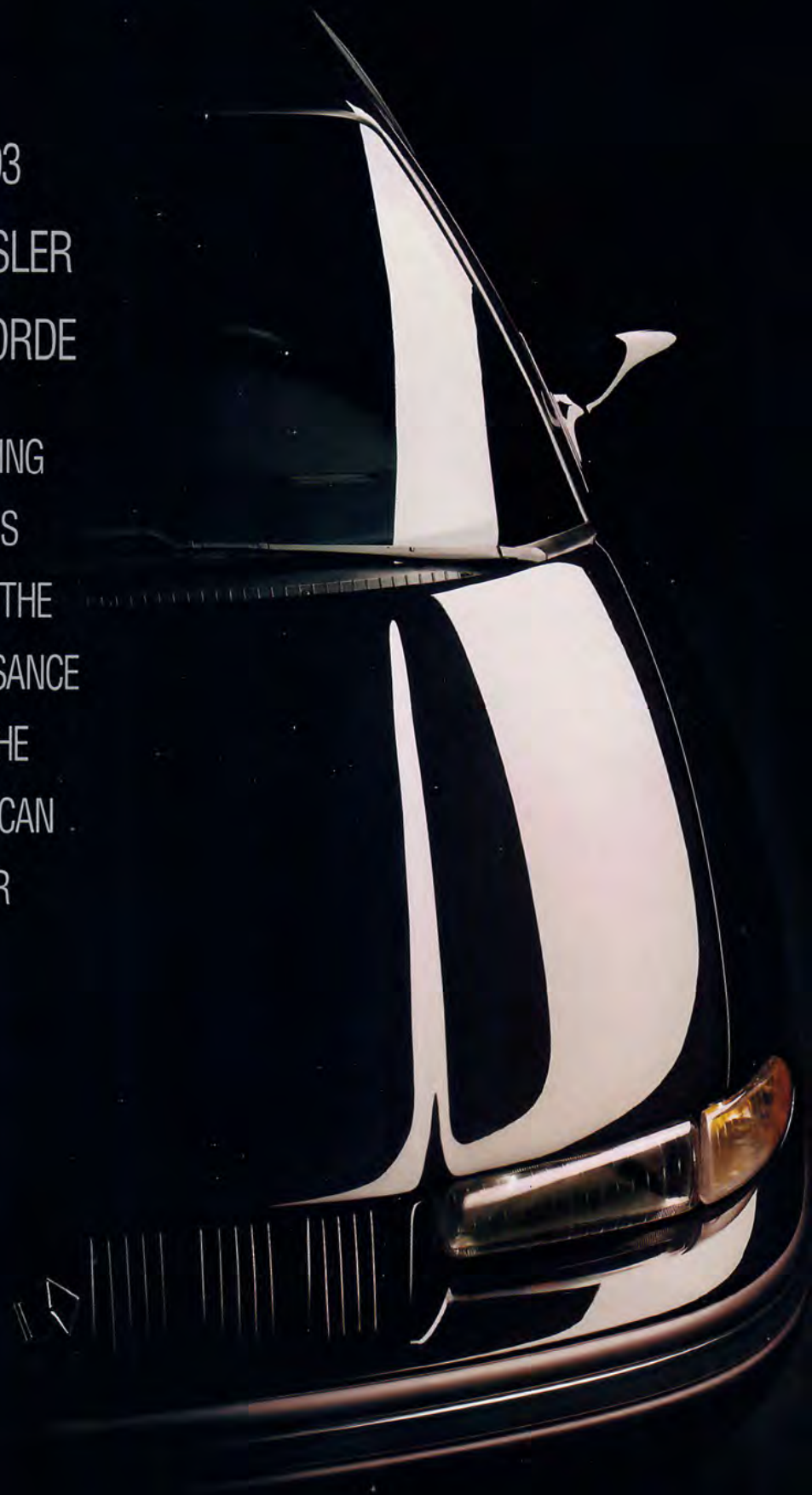


1993  
CHRYSLER  
CONCORDE

NOTHING  
LESS  
THAN THE  
RENAISSANCE  
OF THE  
AMERICAN  
CAR





NOTHING  
LESS  
THAN THE  
RENAISSANCE  
OF THE  
AMERICAN  
CAR

To suggest that you've created "the renaissance of the American car" takes incredible confidence. Or, in our case, an incredible car. The Chrysler Concorde is not just another new car. It represents a new way of making cars. It starts with a Platform Team where all members work together in one place. This dramatically speeds up the development process and results in improved quality.

It has also resulted in the most dramatic change in automotive design and engineering in many years: a radical new architecture called Cab Forward. The windshield moves forward and the wheels move toward the corners. This results in more interior room and a wider track.

But you don't have to be an automotive engineer to appreciate the Concorde

difference. The room and comfort are immediately apparent. Fit and finish are impeccable. It's truly a match for any four-door sedan in any showroom in the country.

The moment of truth, however, comes when you drive it. The Concorde is equipped with four-wheel independent suspension. Its power comes from a standard 3.3-liter V6 or an available 3.5-liter, 24-valve overhead cam V6. The fact is, you don't even have to be a driver to appreciate the new Chrysler Concorde. It's one of the quietest cars you'll ever ride in. It provides the safety of four-wheel antilock disc brakes and dual air bags as standard equipment. And it even offers an available integrated child seat and low-speed traction control.

As you can see, it really didn't take a lot of confidence to call the new Chrysler Concorde a "renaissance." It just took a lot of car.

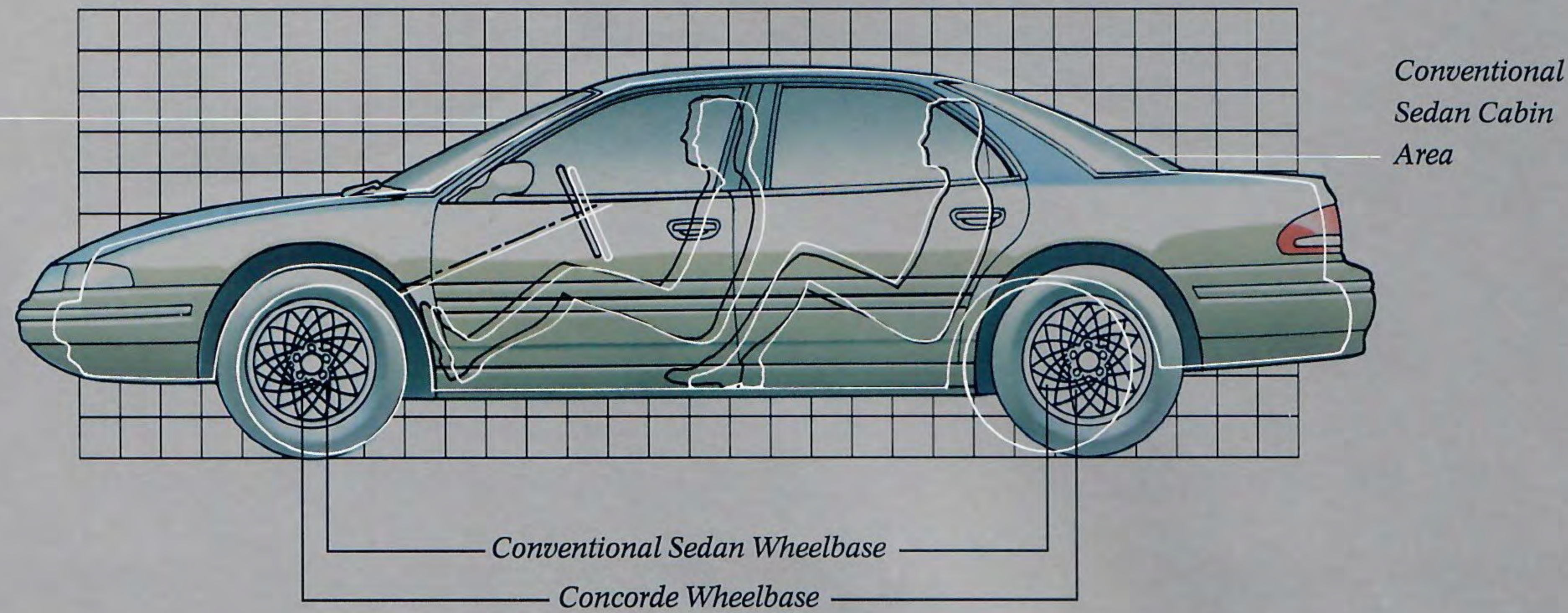
• U.S. content 77 percent, assembled by Chrysler Canada.





## CAB-FORWARD DESIGN IS CHANGING THE ARCHITECTURE OF THE AUTOMOBILE

Concorde Cabin Area

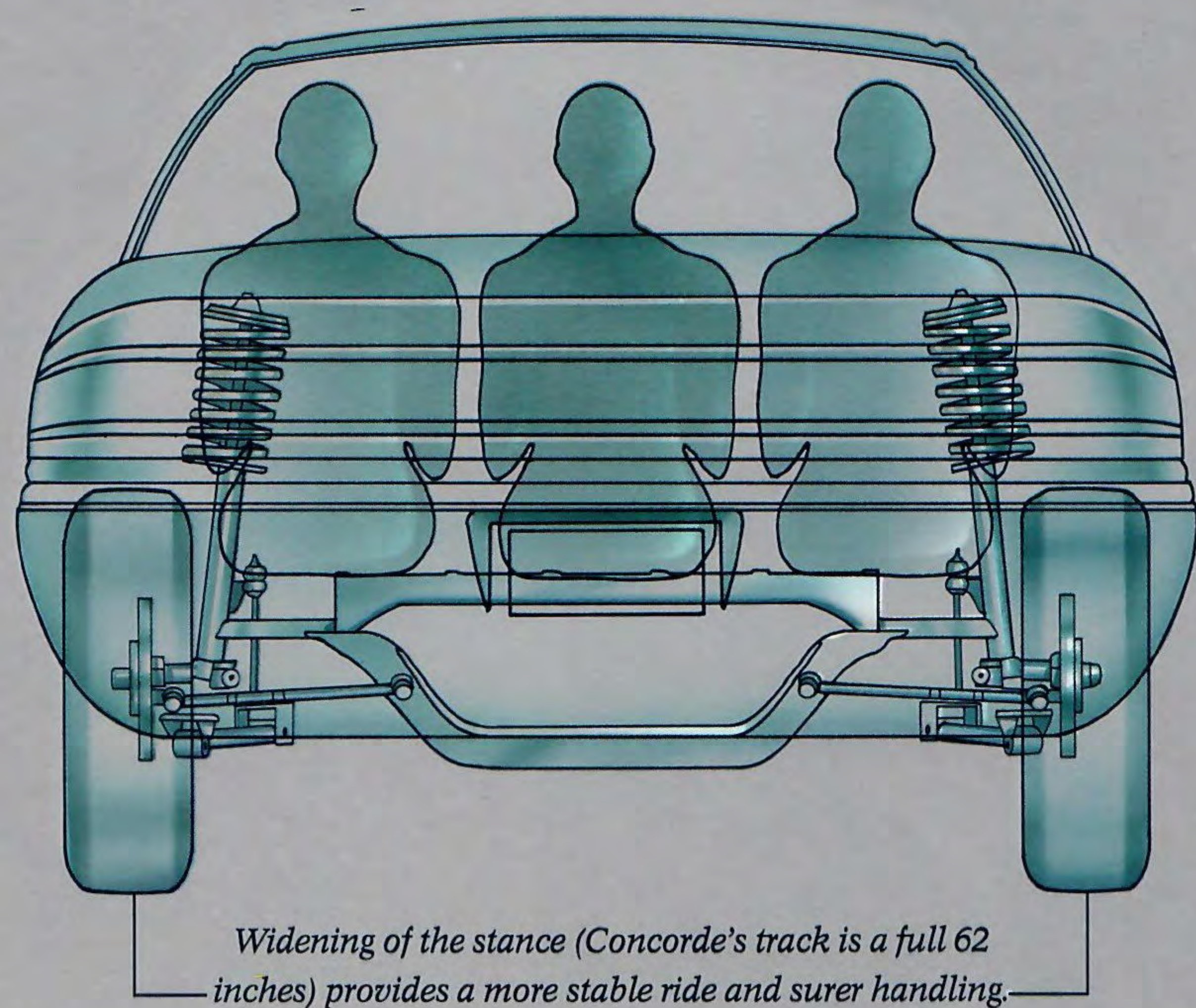


Certain basic building blocks—wheels, an engine, doors and windows, a passenger cabin—are essential to the architecture of every automobile. In designing Concorde, its architects fashioned those elements into a form called Cab Forward: First, they dramatically slanted

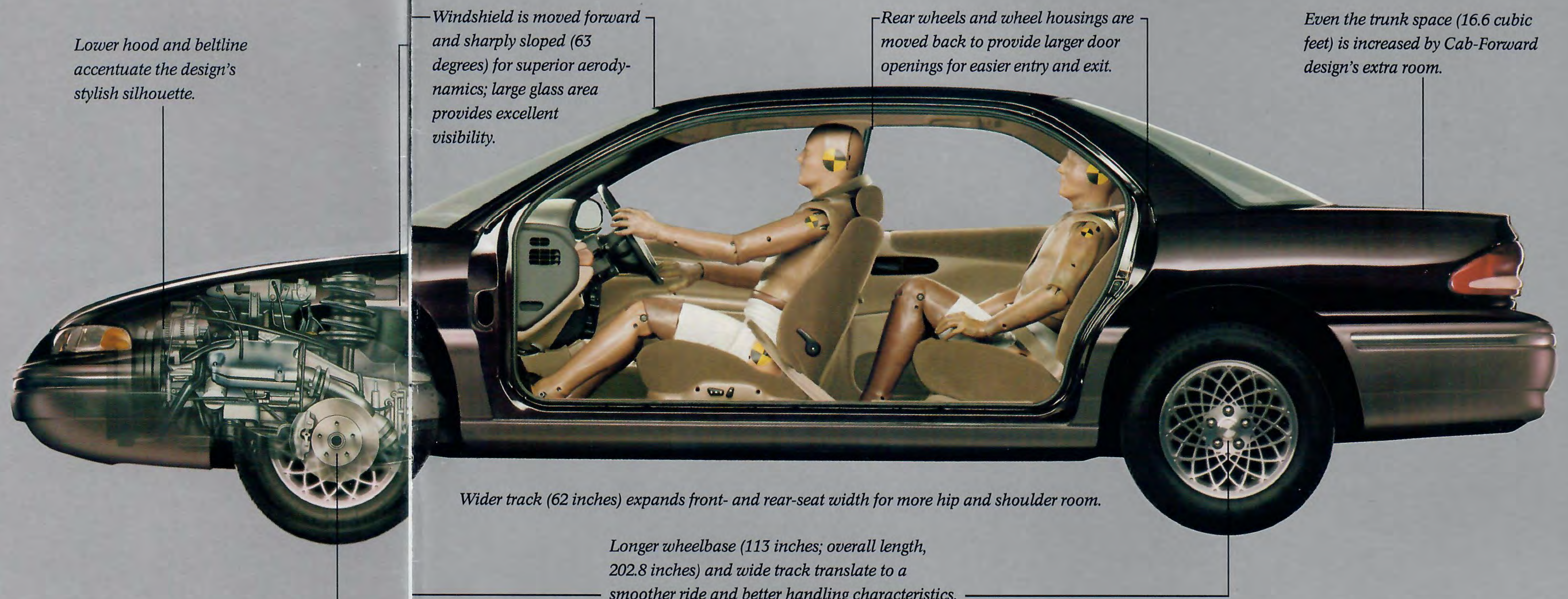
the windshield and moved it far forward, to a position approaching the middle of the front wheels. The result is an expanded interior volume... and a distinctive, fluid, aerodynamic silhouette that is accented by a lowered beltline and hood. Next, they extended the fore-to-aft distance

between the wheels, well beyond the norm for a midsize sedan. Longer wheelbase, smoother ride. And they spread front and back wheels farther apart, out toward the corners of the car. Wider stance, greater stability; and even more interior room.

Cab-Forward design includes pushing front and rear wheels toward the corners of the car, which increases the overall width and provides more hip and shoulder room for front- and rear-seat passengers.



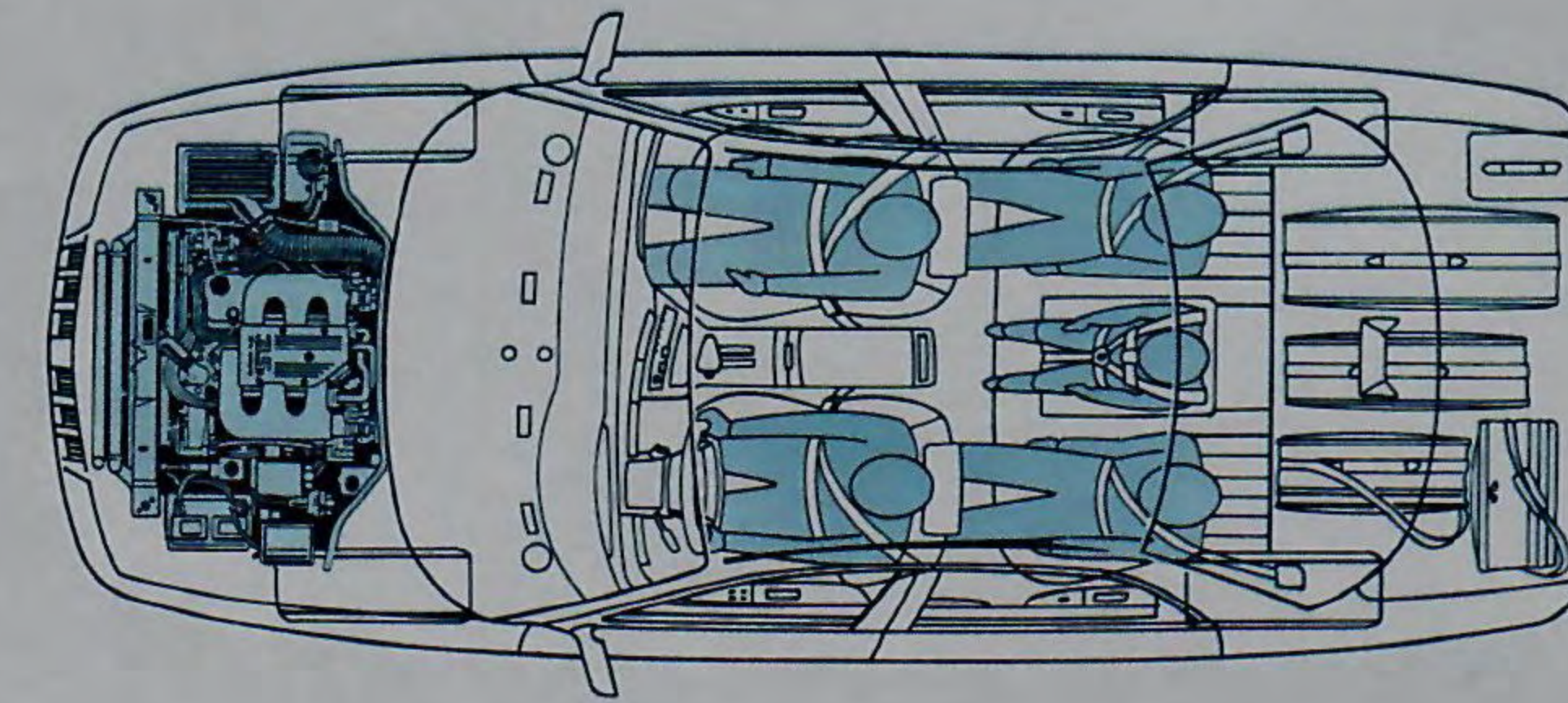
Lower hood and beltline accentuate the design's stylish silhouette.



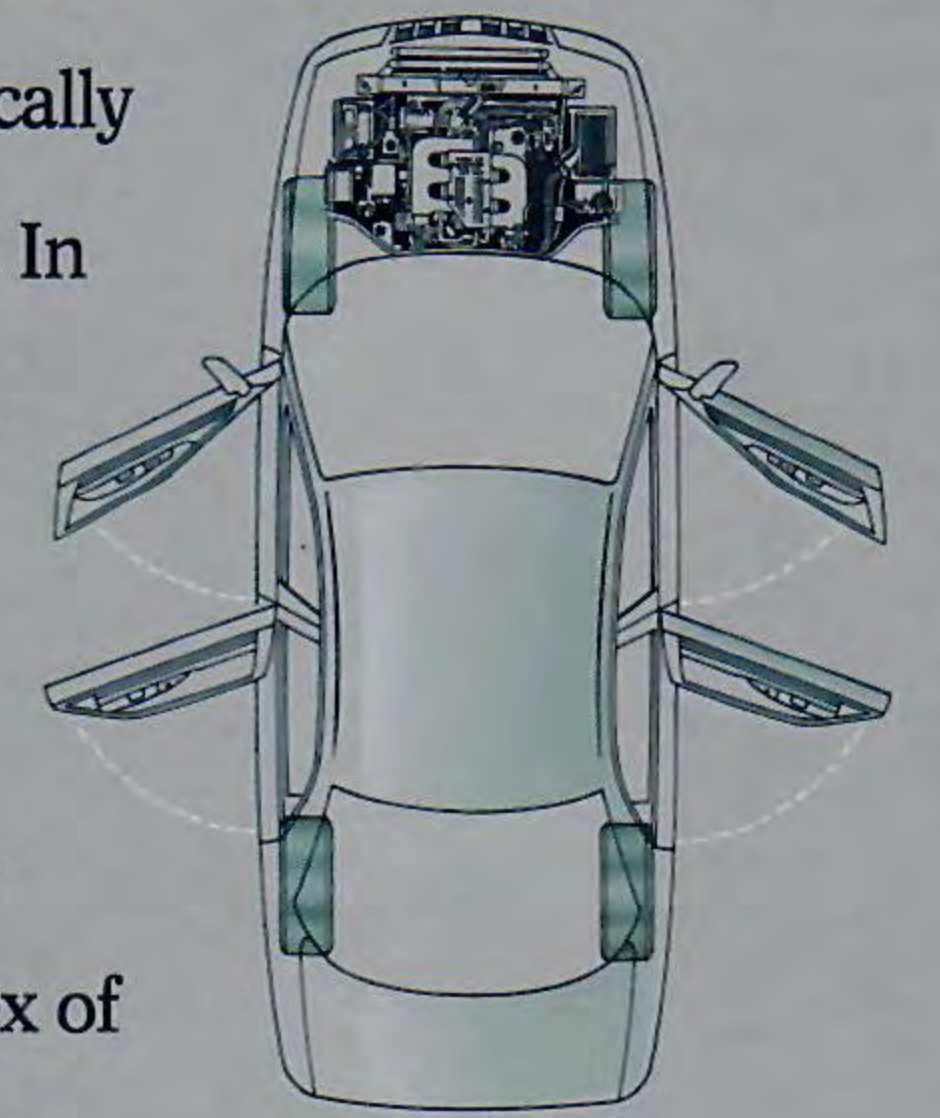
### ROOM FOR POWER AND PEOPLE

In the creation of Concorde, the M&M theory prevailed: design and engineer *Maximum space for Man — Minimum for Machine*. But the same contemporary styling that was achieved by lowering Concorde's hoodline,

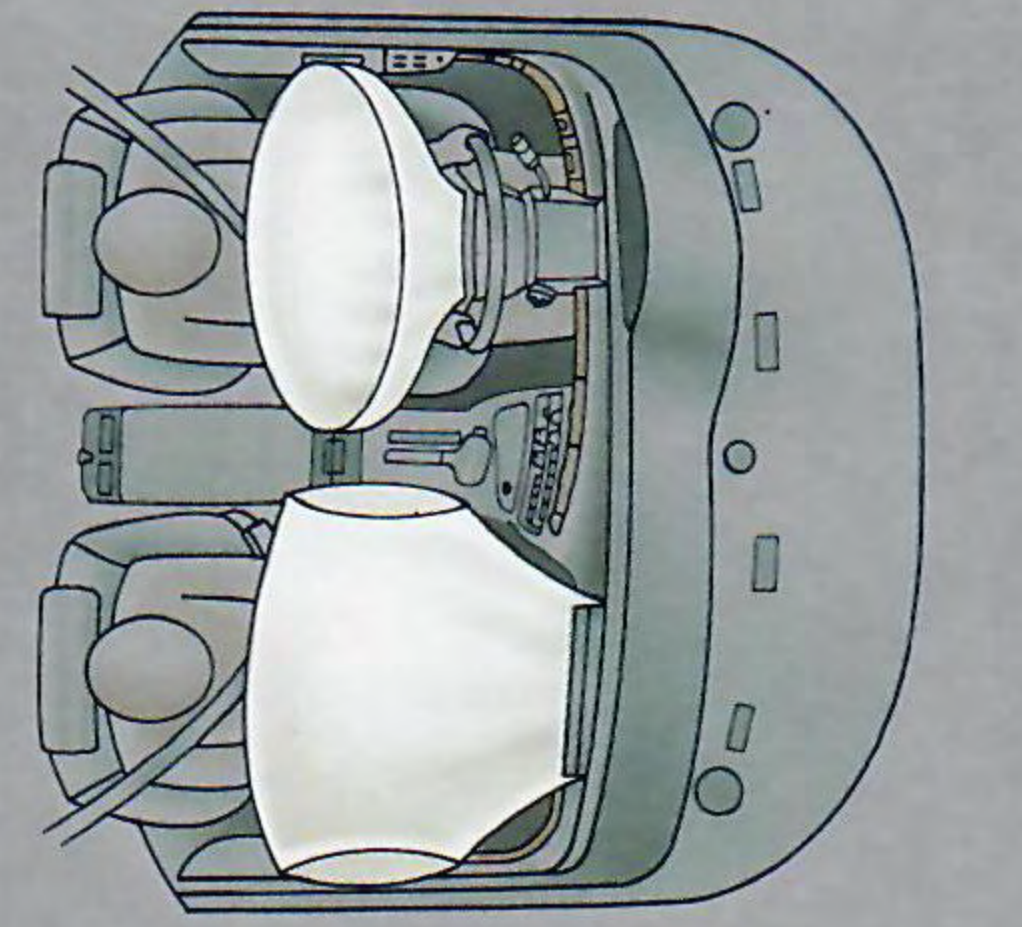
also compressed the overall area of the engine compartment. Chrysler engineers came up with the perfect fit: the compact 3.5-liter 24-valve V6, an all-new engine that is available for Concorde and delivers 214 hp worth of performance.



**OPEN WIDER.** Concorde offers more rear-seat room than any comparable vehicle in its class. Domestically built or imported. In fact, even though Concorde is positioned as a midsize sedan, its EPA volume index of over 120 cubic feet qualifies it for the large-car classification. Just as important as the comfort of *being* inside, is the comfortableness of *getting* inside. And that's an easy move through the wide door openings made possible by Concorde's long wheelbase.







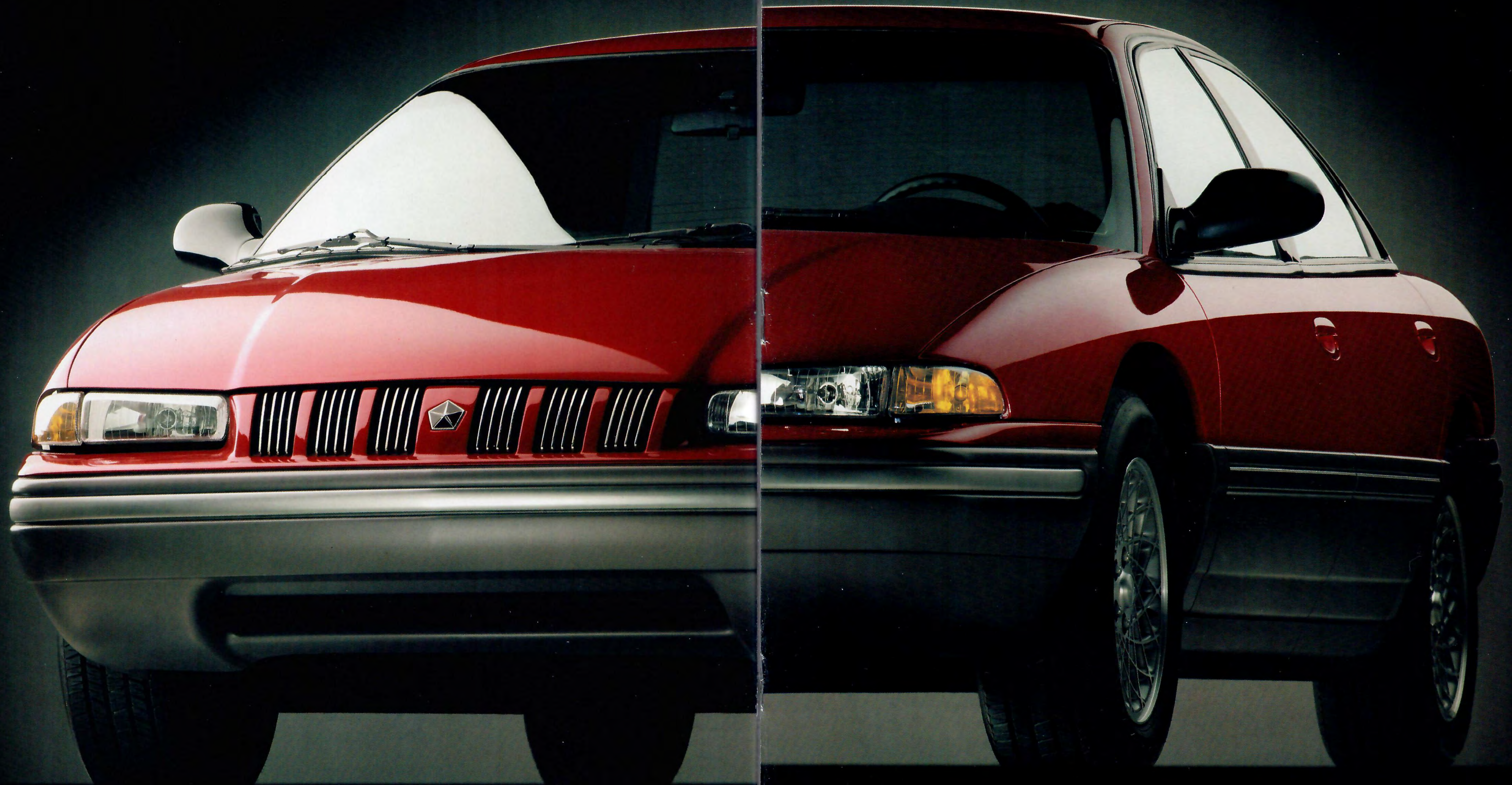
*Dual air bags protect front-seat passenger as well as driver.*

Cab-Forward design expands Concorde's interior to make it roomier than any midsize. Seating is firm but comfortable. Wide rear-door openings facilitate entry/exit, and Concorde's comfort is completed with such standard features as premium bucket seats with adjustable driver-side lumbar support, air conditioning, tilt steering column, floor and mini overhead consoles, speed-sensitive intermittent wipers, and heated, foldaway outside power mirrors.



*"Built-in" child seat is positioned in center of rear seat and features a five-point restraint system. Available on Concorde with cloth interior.*







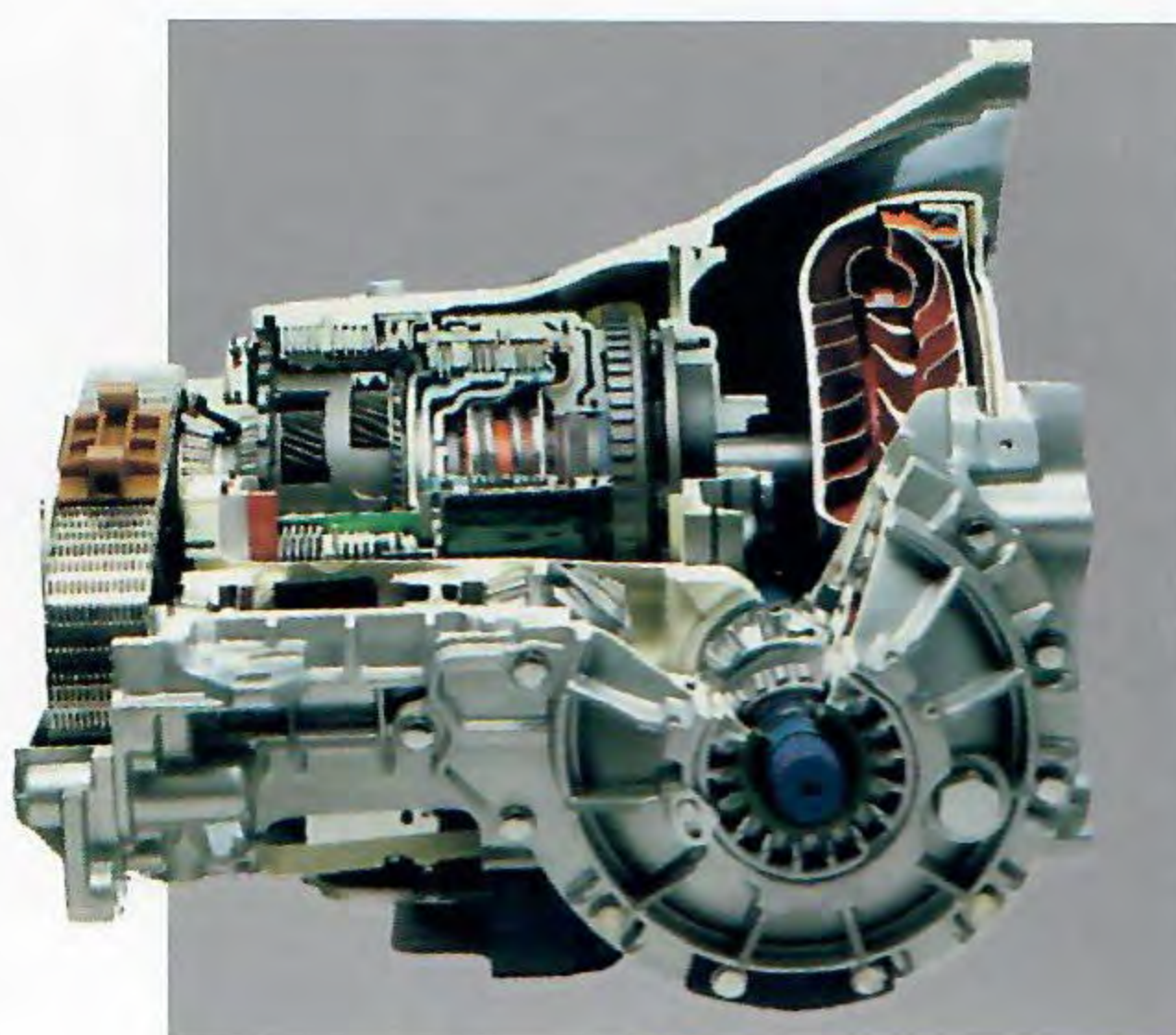




**1 3.5 Liter 24-Valve V6 Engine.** Available engine features sequential multipoint electronic fuel injection. Calibrated to run efficiently with mid-grade unleaded fuel.



**2 Four-Speed Automatic Transaxle.** Featuring overdrive and fully adaptive electronic controls that "learn" how you drive and adjust shifting patterns accordingly.

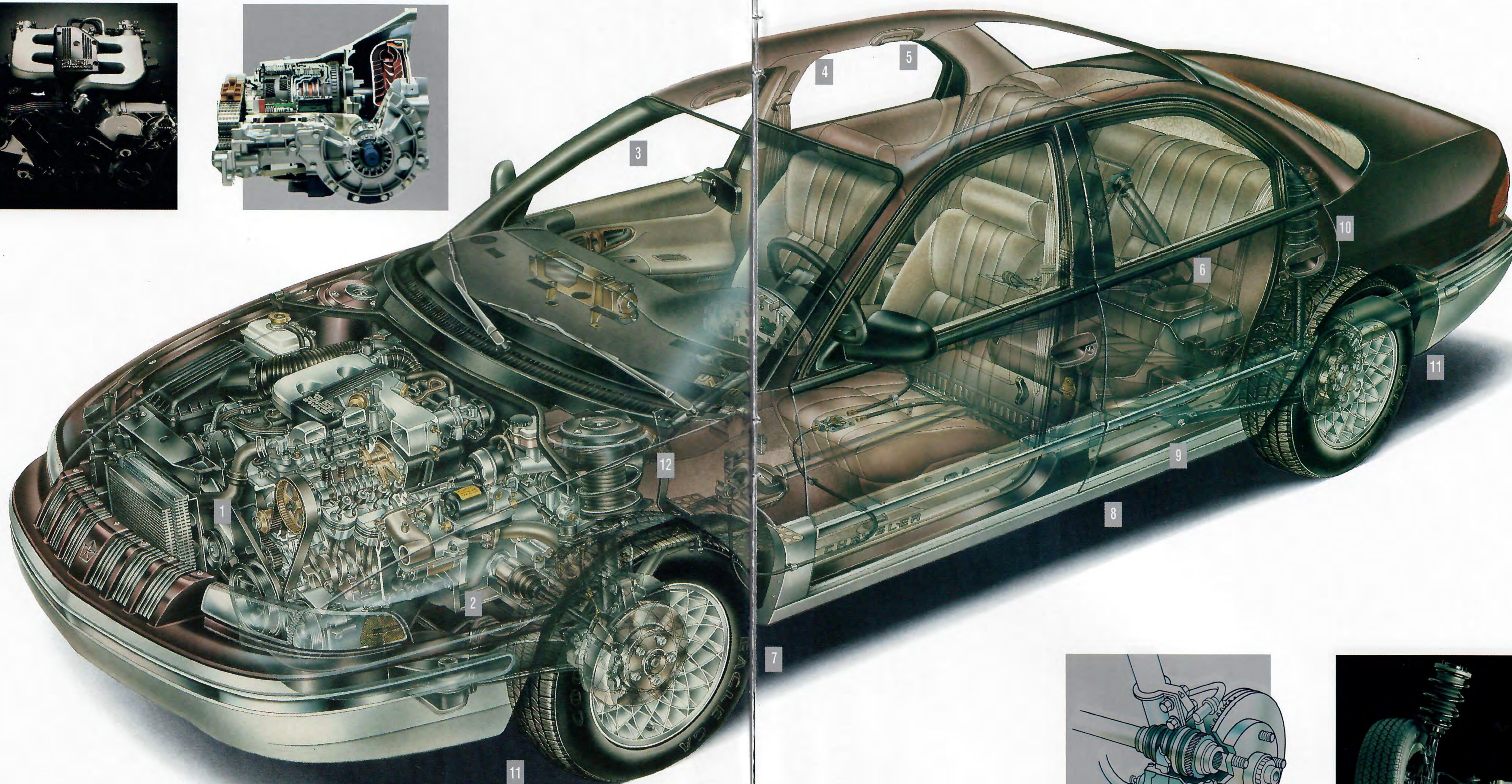


**3 Solar-Control-Glass Windshield.** Large (nearly 15 square feet) windshield is chemically formulated to reduce transmitted heat energy by 14 percent.

**4 Adjustable Seat Belts.** Turning loops for front seat belts can be adjusted to five cross-chest positions for ultimate comfort.

**5 Triple Door Seals.** Sealing beads on the door, on the frame and a third above the window drastically reduce wind noise inside the car.

**6 Wide Door Openings.** Cab-Forward design moves rear wheels back for more rear-seat room and wider rear-door openings.



**7 Low-Speed Traction Control.** This available system helps prevent front-wheel spin on slippery or gravel surfaces during acceleration at speeds up to 25 mph.

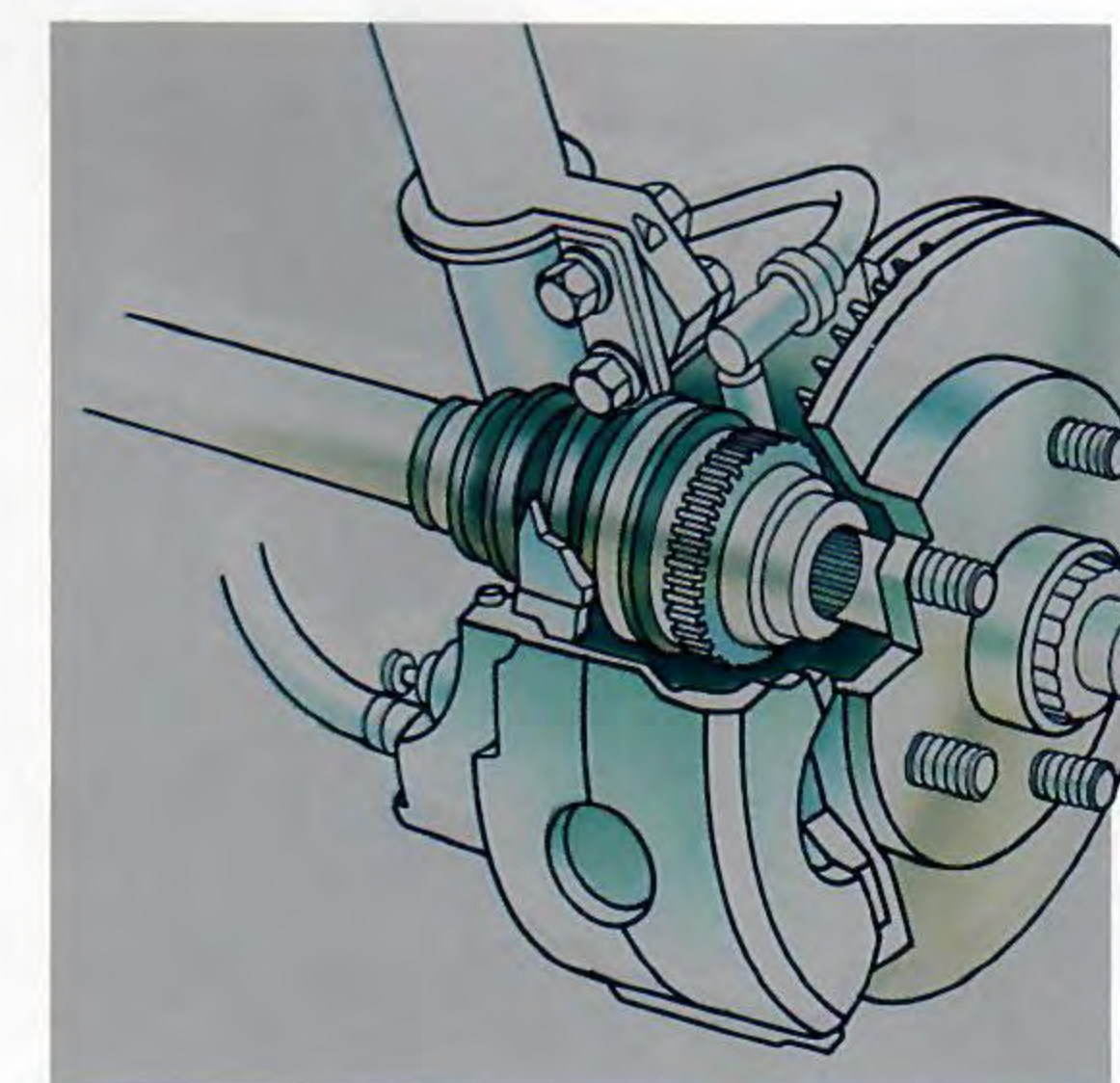
**8 Stainless Steel Exhaust.** Use of premium-grade materials prolongs life of major components. Low emissions system uses three catalyts.

**9 Bodyside Cladding.** Offers additional coating protection against stone chips and road debris. Lower body and hood facing are double-coated.

**10 Rear Suspension.** Chrysler's first independent multilink rear suspension combines stiff bushings for agile handling, with softer bushings for a supple ride.

**11 Antilock Brakes.** This four-wheel disc system helps prevent lockup during severe braking by automatically "pumping" the brakes.

**12 Front Suspension.** Fully independent system features gas-charged (MacPherson-type) struts and double ball-joint stabilizer bar for excellent handling.





# SPECIFICATIONS

## STANDARD AND OPTIONAL EQUIPMENT

ITEM	
Air Bag System; Driver-Side—Integral with steering wheel; Passenger-side—Located in the instrument panel	S
Air Conditioning—Manual temperature control	S
Air Conditioning—Automatic temperature control	P
Air Conditioning/Heat Ducts Rear Seat—Adjustable, located in the back of center console	S
Alternator—90-ampere	S
Antenna—Fixed: rear, black	S
Antenna—Power: included with premium radios	E
Applique—B-pillar: Gloss Black	S
Ash Receivers—Front and rear	S
Battery—500-ampere maintenance-free with integral test indicator	S
Bodyside Cladding—Double coated on lower bodysides, Medium Quartz <sup>1</sup> with bright insert	S
Brakes, Four-Wheel Disc Antilock—Power-assisted, system split diagonally	S
Carpeting—Passenger compartment: color-keyed	S
Carpeting—Trunk area: gray	S
Cargo Net—Luggage compartment	S
Cellular Phone—Portable (dealer-installed)	E
Child-Protection Rear Door Locks	S
Child Seat—Integrated into center of rear seat	E
Chimes—Key-in-ignition, fasten seat belt, headlights on, turn signal on	S
Cigar Lighter	S
Clock, Digital—Integral with all radios	S
Coat Hooks—Rear (two)	S
Corrosion Protection—Antichip protective coating on lower body panels and extensive use of galvanealed steel, protective bodyside cladding	S
Cup Holders—Front (two): integral with center console	S
Deck Lid Release—Power switch located in glove box	S
Defroster—Rear window, electric	S
Demisters—Front door windows	S
Door Handles—Flush-mounted	S
Door Locks—Power	E
Door Seals—Full perimeter, dual, with third seal on door upper frame	S
Engine—3.3-liter OHV sequential multipoint electronic fuel injection V6	S
Engine—3.5-liter 24-valve sequential multipoint electronic fuel injection V6	E
Exhaust System—Stainless steel	S
Fascias—Front and rear, two-tone with bright insert	S
Floor Mats—Front and rear, carpeted	P
Fuel Filler Cap—Tethered	S
Fuel Tank—Eighteen-gallon; curb-side fuel filler door	S
Glass, Tinted—All windows including Solar Control Windshield	S
Glove Box—Locking with light	S
Headlights, Dual Halogen—Composite, aerodynamic	S
Heater and Defroster	S
Hood—Counterbalanced, remote release	S
Horn—Dual-note	S
Illuminated Entry System	E
Insulation—Hood pad	S
Instrument Cluster—Electromechanical: includes speedometer, tachometer, odometer, trip odometer, electric PRNDL; gauges for fuel level, engine coolant temperature; warning lights for brakes and parking brake, low oil pressure, high engine coolant temperature, check engine, charging system, low fuel, seat belt, air bag	S

Key—Double-bitted with embossed Pentastar	S
Lights—Exterior: dual aerodynamic composite halogen headlights; integral park and turn with partial amber lens; front and rear side markers; two-color "full-across" taillights	S
Lights—Interior: dual front reading/courtesy integral with overhead module; dual rear courtesy; door courtesy (four) (Courtesy lights feature delayed "fade-to-off")	S
Message Center—Graphic displays for low washer fluid, door ajar and deck lid ajar, ABS warning	S
Mirrors—Exterior: dual power heated, foldaway, Gloss Black	S
Mirrors—Interior: rearview day/night; dual visor vanity with hinged covers	S
Mirrors—Interior: dual illuminated visor vanity	P
Moldings—Belt, black; side window, black; windshield and backlight, black, flush-mounted; sill, Medium Quartz <sup>2</sup> ; grille, bright	S
Multifunction Control Lever—Mounted on steering column, includes controls for turn signals, intermittent wiper/washer, headlight dimmer, lane-change feature, optical horn	S
Overhead Module—Includes twin map courtesy/reading lights	S
Overhead Console—Full: includes compass, outside temperature, travel trip computer, sunglasses and garage door opener storage areas	P
Pockets—Front seatbacks	S
Radio—AM/FM stereo electronically tuned with four speakers	S
Radio—AM/FM stereo with cassette tape player	E
Radio—AM/FM stereo Chrysler/Infinity Spatial Imaging™ Cassette Sound System electronically tuned; with scan, up-and-down seek, Dynamic Noise Reduction <sup>2</sup> ; cassette tape player, Dolby B Noise Reduction <sup>3</sup> ; joystick balance/fader speaker control, five-band graphic equalizer system; integral digital clock	E
Radio—AM/FM stereo Chrysler/Infinity Spatial Imaging™ Compact Disc Sound System electronically tuned; with scan, up-and-down seek, Dynamic Noise Reduction <sup>2</sup> , integral compact disc player, Dolby B Noise Reduction <sup>3</sup> , joystick balance/fader speaker control, five-band graphic equalizer; integral digital clock	E
Remote Keyless Entry System	E
Seat Belts—Color-keyed, three-point Unibelt automatic retractor for outboard seating positions, front belts include adjustable turning loops; rear lap belt in center location	S
Seats—Front: premium cloth buckets with driver-side manually adjustable lumbar support, reclining seatbacks with infinite adjustment, two-way adjustable head restraints, seatback map pockets	S
Seats—Rear: contoured bench with center armrest	S
Seats—Eight-way power driver-side	E
Seats—Leather-facings including eight-way power driver- and passenger-side seats, also includes leather-wrapped steering wheel and shift knob	E
Speed Control—Electronic	E
Steering Column—Tilt	S
Steering, Rack and Pinion—Power-assisted, 17.0:1 ratio	S
Steering Wheel—Luxury, two-spoke, with integral air bag	S
Steering Wheel—Leather-wrapped, two-spoke, with integral air bag	P <sup>4</sup>
Stoplight—Supplemental center high-mounted	S
Sun Visors—Cloth: driver and passenger with covered vanity mirrors	S
Suspension—Front: includes gas-charged MacPherson struts and antisway bar	S
Suspension—Rear: independent multilink with Chapman struts and antisway bar	S
Suspension—Special touring	E <sup>5</sup>
Tires—P205/70R15 steel-belted radial, black sidewall (set of four)	S
Tires—P225/60R16 steel-belted radial, all-season touring (set of four)	E <sup>5</sup>

Tire—Spare, compact T135/80D15	S
Tire—Spare, conventional	E
Traction Control—Low-speed	E
Transaxle—Four-speed computer-controlled automatic with lockup torque converter	S
Wheel Cover—15" "Prototec" (set of four)	S
Wheels—16" "Spiralcast" aluminum wheels (set of four)	E <sup>5</sup>
Windshield Wipers—Wet arm with speed-sensitive intermittent feature	S
Windows—Power, with driver-side one-touch down feature	P

S=Standard. E=Extra-Cost Option. May also be a part of or require a Customer-Preferred™ Package. P=Available only in Customer-Preferred™ Package.  
<sup>1</sup>Medium Quartz or Medium Driftwood, depending on exterior color.  
<sup>2</sup>Dynamic Noise Reduction is a trademark of National Semiconductor Corporation.  
<sup>3</sup>Dolby B is a trademark of Dolby Laboratories.  
<sup>4</sup>Included with optional leather seat facings.  
<sup>5</sup>Included in 16" Wheel and Handling Package.

## CUSTOMER-PREFERRED™ PACKAGES

PACKAGE CONTENTS	PACKAGES			
	A	B	C	D
AM/FM Cassette Stereo with Four Speakers		•	•	
Automatic Temperature Control Air Conditioning			•	•
Carpeted Floor Mats—Front and Rear		•	•	•
Eight-Way Power Driver's Seat			•	•
Electronic Speed Control		•	•	•
Full Overhead Console				•
Illuminated Visor Vanity Mirrors			•	
Low-Speed Traction Control			•	•
Power Door Locks		•	•	•
Power Windows with Driver-Side One-Touch Down Feature		•	•	•
Chrysler/Infinity Spatial Imaging™ Cassette Sound System				•
Remote Keyless Entry System/Illuminated Entry System			•	•

## ADDITIONAL OPTIONS

(Available only with corresponding Customer-Preferred™ Packages)

AM/FM Cassette Stereo with Four-Speakers	E	P	P
Chrysler/Infinity Spatial Imaging™ Cassette Sound System		E	E
Chrysler/Infinity Spatial Imaging™ Compact Disc Sound System		E	E
Conventional Spare Tire	E	E	E
Eight-Way Power Driver's Seat		E	P
Electronic Speed Control	E	P	P
Integrated Child Seat (n/a with Leather)	E	E	E
Leather Seat Facings Interior (includes eight-way power driver and passenger seats, leather-wrapped steering wheel and shift knob)			E
Low-Speed Traction Control			E
Power Door Locks	E	P	P
Remote Keyless Entry System/Illuminated Entry System		E	P
3.5L 24V OHC SMPI V6 Engine		E	P
16" Wheel and Handling Package (Includes 16" "Spiralcast" aluminum wheels [set of four], P225/60R16 all-season touring tires [set of four] and touring suspension)		E	E

P=Included in Customer-Preferred™ Package listed above.  
E=Extra Cost. Available only when corresponding Customer-Preferred™ Package is ordered.

ENGINE SPECIFICATIONS	3.3-LITER V6	3.5-LITER V6
Engine	V6 SMPI OHV	V6 SMPI 24-Valve
Displacement	3.3-liter (201 CID)	3.5-liter (215 CID)
Compression Ratio	8.9:1	10.4:1
Bore and Stroke	3.66" x 3.19"	3.78" x 3.19"

ENGINE SPECIFICATIONS (CONT)	3.3-LITER V6	3.5-LITER V6
Fuel System	sequential multipoint electronic fuel injection	dual throttle body sequential multipoint electronic fuel injection
Horsepower	153 @ 5,300 rpm	214 @ 5,800 rpm
Torque (lb-ft)	177 @ 2,800 rpm	221 @ 2,800 rpm

## DIMENSIONS

### EXTERIOR DIMENSIONS

Wheelbase (in.)	113.0
Overall Length (in.)	202.8
Overall Width (in.)	74.3
Overall Height (in.)	56.2

Track (in.)	
—Front	62.0
—Rear	62.0

Overhang (in.)	
—Front	45.1
—Rear	44.7

### INTERIOR DIMENSIONS

Head Room (in.)	
—Front	38.4
—Rear	37.2

Leg Room (in.)	
—Front	42.3
—Rear	38.7

Hip Room (in.)	
—Front	56.1
—Rear	58.8

Shoulder Room (in.)	
—Front	58.9
—Rear	58.9

Front Seatback Angle (degrees)	24
Rear Seatback Angle (degrees)	27

## SPECIFICATIONS

Fuel Tank Capacity (gal)	18
Turning Diameter (ft)	37.6
Trunk Volume (cu ft)	16.6
EPA Interior Volume (cu ft)	104.4
Coefficient of Drag (Cd)	.31

## STANDARD SAFETY FEATURES

- Air bag supplemental restraint, driver and front passenger
- Antitheft ignition and steering column lock
- Antitheft trunk lock
- Backup lights
- Brake fluid pressure loss warning light (also serves as indicator when parking brake is applied)
- Center high-mounted supplemental stoplight
- Combination lap-shoulder belts for driver and right front passenger and rear outboard passengers; lap belts for center locations; front Unibelts include adjustable turning loops
- Double ball-joint rearview mirror mount
- Dual throttle return springs
- Electric windshield washers and wipers with speed-sensitive intermittent wipe feature
- Energy-absorbing front seatbacks
- Energy absorbing instrument panel
- Energy-absorbing steering wheel
- Fade-resistant four-wheel antilock disc brakes
- Fasten seat belt reminder
- Front seat head restraints
- Glare reduction measures for instrument panel, steering wheel, and windshield wipers
- Hazard warning flasher system
- Headlight and wiper circuit breakers with automatic reset
- Inside hood release
- Interlocking door latches
- Key left in ignition warning
- Non-override rear door locks
- Recessed inside door release handles
- Reinforced windshield header and roof
- Safety-Rim wheels
- Shatter-resistant glass
- Side door beams
- Side marker lights and reflectors
- Solar-control-glass windshield
- Turn signals with lane-change feature



**OWNER'S CHOICE PROTECTION PLAN**  
**7/0 3/36**  
**POWER TRAIN OR BUMPER-TO-BUMPER**

**THE OWNER'S CHOICE PROTECTION PLAN**

Now you have a choice of protection plans to suit your needs. When you purchase a new 1993 Chrysler Concorde, you can choose either of the two limited warranty plans described below.

**3/36 BUMPER-TO-BUMPER LIMITED WARRANTY**

The three-year or 36,000-mile Basic Bumper-to-Bumper Limited Warranty covers the entire vehicle including power train (excludes adjustments, tires, normal wear items and maintenance). No deductible applies. Restrictions apply. See your dealer for a copy of this limited warranty.

**OR**

**7/70 POWER TRAIN LIMITED WARRANTY**

Upon expiration of the 12-month or 12,000-mile Basic Limited Warranty, coverage is extended on power train components to seven years or 70,000 miles. No deductible applies. Restrictions apply. See your dealer for a copy of these limited warranties.

**7/100,000 ANTICORROSION LIMITED WARRANTY**

In addition, all Chrysler Corporation vehicles are covered by the 7/100,000 Outer Panel Anticorrosion Limited Warranty. Your dealer will repair or replace at no charge outer body sheet metal panels found to have developed perforation (rust-through) in normal use up to seven years or 100,000 miles. No deductible applies. See your dealer for a copy of the warranty.

**CHRYSLER SERVICE CONTRACTS**

Additional peace-of-mind protection for vehicle owners is available through optional Chrysler Service Contracts. These services are available in a variety of time and mileage combinations to meet your particular driving needs.

**CHRYSLER CREDIT FINANCING**

Chrysler Credit offers a variety of finance programs that can help make your new Chrysler Concorde even more affordable. These flexible finance and lease programs can be tailored to suit your budget and your lifestyle. They include Gold Key Plus, College Graduate Plans, Gold Key Lease, Retail Financing and other special payment plans. Ask your salesperson for details.

**CHRYSLER CORPORATION GENUINE PARTS**

MOPAR parts are engineered by Chrysler Corporation for use in your new Chrysler Concorde. When replacement is necessary, be sure to specify MOPAR parts. Used by professional automotive technicians worldwide.

**CHRYSLER CELLULAR SYSTEMS**

For 1993, Chrysler will be offering a selection of dealer-installed/ supplied cellular phones in several models to enhance the available optional equipment list. Ask your dealer for details. OKI® and Panasonic warrant and service these products. Restrictions apply. Ask your dealer for details and a copy of these limited warranties.

**PHYSICALLY CHALLENGED ASSISTANCE PROGRAM**

Cash reimbursement of up to \$500 for purchase and installation of adaptive driving aids or passenger equipment on new 1993 Chrysler Corporation cars, trucks or vans. For further information, contact your dealer or the **PHYSICALLY CHALLENGED RESOURCE CENTER** at 1-800-255-9877.

All product illustrations and specifications are based upon current information at the time of publication approval. Although descriptions are believed correct, complete accuracy cannot be guaranteed. Chrysler Corporation reserves the right to make changes from time to time, without notice or obligation, in prices, specifications, colors and materials, and to change or discontinue models. See your dealer for the latest information.

Chrysler and MOPAR are registered trademarks, and Concorde is a trademark of Chrysler Corporation.

**Buckle up for safety.**



**Advantage:  
Chrysler**

A DIVISION OF THE  
CHRYSLER CORPORATION

